

# CHILLER SERIES

REVERSE CYCLE HEAT PUMPS



*A Product of*

**SPACE PAK** 

### Heat Pumps – Reversing the Cycle

*SpacePak's Chiller Series is an air-to-water reverse cycle heat pump that uses the comforts of Hydronics as the primary source for both heating and cooling demands. Whether winter or summer, Chiller Series units provide perfectly conditioned air with reliability and efficiency.*

**The Difference.....**Reversing the cycle....By reversing the "cycle" Chiller Series units can also pull heat into the occupied space from the outdoors in colder weather...the same process used with traditional heat pumps. Chiller Series units provide a single source for your heating and cooling needs.

Chiller Series heat pumps work similar to conventional heat pumps by circulating refrigerant, which vaporizes at a low temperature in its enclosed evaporator producing additional energy in the process. Further concentration of the conditioned warm vapor occurs in SpacePak's dual programmable compressor raising it to a temperature where it can be circulated through a matching SpacePak WCSP air handler for distribution to the occupied space.

### Flexible Solutions

Chiller Series units can be used in many types of applications from small homes with multiple thermostat driven zones to large homes and light commercial applications.

Perfect for zoning, Chiller Series units can operate in a loop that can provide conditioned air to several individual zones utilizing single or multiple air handlers allowing total comfort control to the occupied space.

Whether radiant heating & cooling, domestic hot water, dehumidification, process cooling or even conventional with multiple air handlers Chiller Series units offer application flexibility requiring less equipment outside.

Units can be easily installed at ground level, on rooftops or even in remote locations when necessary.



### Features & Benefits

- Dual Programmable Compressor
- Simple Piping & Pumping
- Easily Zoned
- 30% larger condenser coil than traditional units
- Self Diagnostic Control – Factory Programmed
- Low AMP requirements
- Simplified installation & ease of service
- Quiet Operation – "Soft Start" package standard
- Highest R-410A COP and EER
- No Refrigerant Handling
- Refrigerant stay outside the building
- Low ambient antifreeze protection

## High Efficiency

Chiller Series units utilize a condenser coil that is 30% larger than standard units and operate with a COP of up to 4. Designed for heating in colder climates, Chiller Series units produce up to 67,000 BTU/h and can effectively heat in ambient temperatures as low as 10°F.

## Perfect Match

SpacePak's Chiller Series allows custom control not obtainable by most traditional refrigerant-based system. SpacePak units use hydronics (water) to provide unparalleled load matching by utilizing adjustable water flow, water temperature and airflow settings.

## Sophisticated.... but Simple Control Platform

Intelligent recovery factory programmed control platform with state of the art self diagnostic microprocessor allow staging of compressors for seamless operation. Amp draw starts low and stays low with no spike at start-up and use a smaller breaker than other chiller units for even more efficiency benefits.



## Green by Nature:

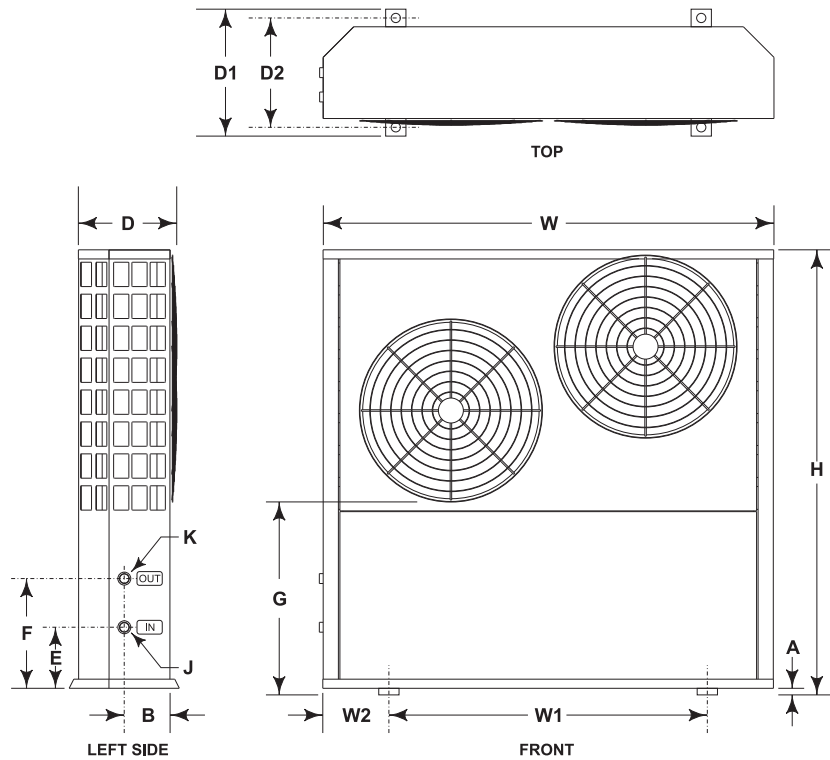
An ultra safe and environmentally friendly design keeps all refrigerant sealed in its European styled fully enclosed powder coated galvanized steel cabinet and outside the occupied space. Chiller Series high efficiency compressors operate on R-410A but use only a fraction of the refrigerant needed by other systems while providing superior performance and high COP and EER.

Chiller Series units run quieter than traditional systems with their dual fan, horizontal discharge configuration with soft start activation.

## Specification

Model		036	060
Heating Capacity	KW	13	17
	BTUh	41000	67000
COP		3.95	3.97
Cooling Capacity	KW	10	13.5
	BTUh	40500	62000
EER		13.7	14.0
Voltage		230V/1Ø/60Hz	230V/1Ø/60Hz
Compressor		Rotary x 2	Rotary x 2

# Dimensions



Model	A	B	D	D1	D2	E	F	G	H	J	K	W	W1	W2
	Leg height	Front to return	Cabinet depth	Mounting lug depth	Mounting lug centers	Bottom to return	Bottom to supply	Base to bottom edge of lower fan	Overall Height	Return connection	Supply connection	Overall width	Mounting lug centers	Lug center to edge
SCM-036	1	10	17 3/4	17 3/8	15 3/8	5 1/2	15 1/4	25	53	1" NPT	1" NPT	43 3/8	27 1/2	7 15/16
SCM-060	1	10	17 3/4	17 3/8	15 3/8	5 1/2	15 1/4	25	53	1" NPT	1" NPT	43 3/8	27 1/2	7 15/16

# Performance

## 3 Ton SpacePak Chiller, Cooling Operation 47 Deg F water

Ambient Temp Deg F	Capacity BTU/hr	Chiller Power Watts	Chiller COP	Chiller EER
82	38,553	2,523	4.47	15.28
95	29,694	3,873	2.25	7.67
105	22,880	4,912	1.36	4.66

## 5 Ton SpacePak Chiller, Cooling Operation 47 Deg F water

Ambient Temp Deg F	Capacity BTU/hr	Chiller Power Watts	Chiller COP	Chiller EER
82	61,526	5,150	3.50	11.95
95	54,621	5,881	2.72	9.29
105	45,668	6,643	2.01	6.87

## 3 Ton SpacePak Chiller, Heating Operation

Ambient Temp Deg F	Water Supply Temp.	Capacity BTU/hr	Chiller Power Watts	Chiller COP
45	115	35,536	3,855	2.70
32	110	26,295	3,472	2.22
20	105	20,245	3,103	1.91

## 5 Ton SpacePak Chiller, Heating Operation

Ambient Temp Deg F	Water Supply Temp.	Capacity BTU/hr	Chiller Power Watts	Chiller COP
45	115	60,256	6,919	2.55
32	110	42,770	5,927	2.11
20	105	24,769	4,125	1.76



**A MESTEK COMPANY**

260 North Elm Street  
Westfield, Ma 01085  
(800) 465-8558  
Fax (413) 564-5815  
[www.spacepak.com](http://www.spacepak.com)

7555 Tranmere Drive  
Mississauga, Ontario L5S 1L4 Canada  
(905) 672-2991  
Fax (905) 672-2883